

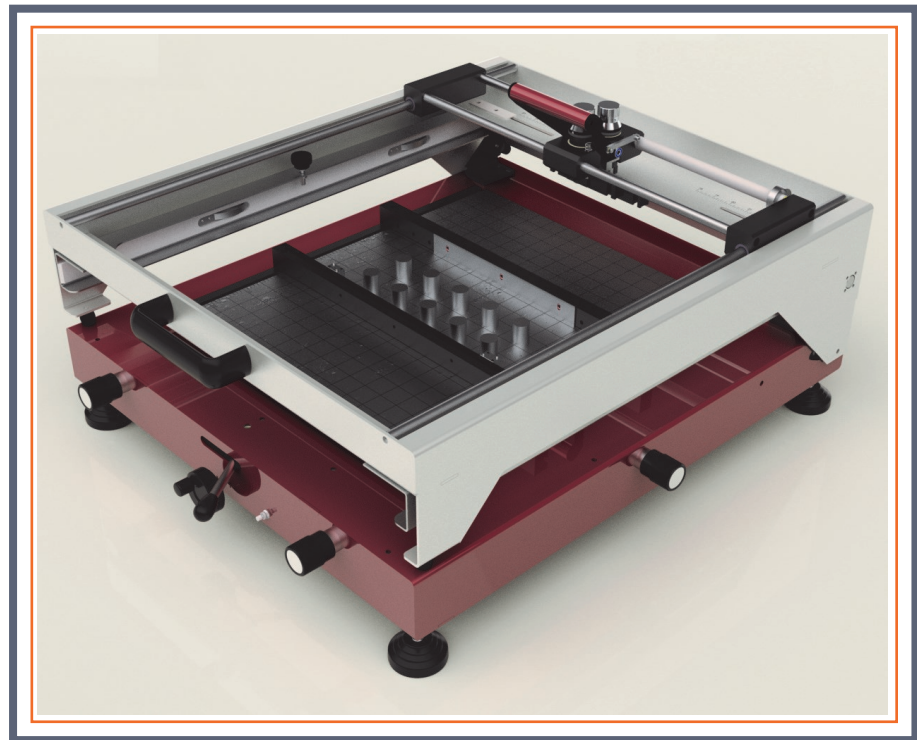
SOLO.

Manual SMT Stencil Printer

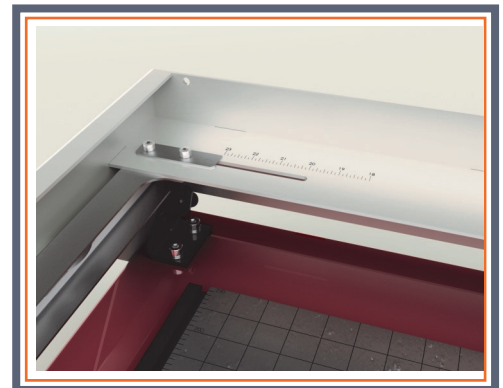
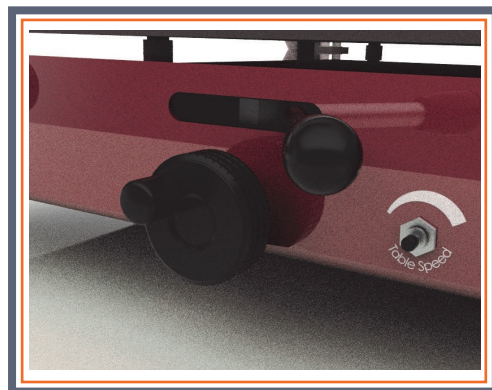
FEATURES

- Simple Product Setup
- Screen Sizes up to 23"
- Large Print Area 450x500mm
- Dual Squeegees
- Independent Pressure Control
- X, Y and Theta Table Adjustment
- Compact Footprint
- Table Top or Stand Mounted
- Available With or Without Manual Print Carriage
- Simple PCB Locating System
- Various Tooling Options Available
- Ideal for Small Batch Printing

.AFFORDABLE



Adjustable Stencil Slides



Controllable Stencil/Board Separation

For your nearest distributor or agent contact Reprint directly

10 Enterprise Park
Piddlehinton
Dorchester
Dorset
England DT2 7UA

tel. +44 (0)1305 849254
email: enquiries@reprintservices.co.uk
web: www.reprintservices.co.uk

REPRINT